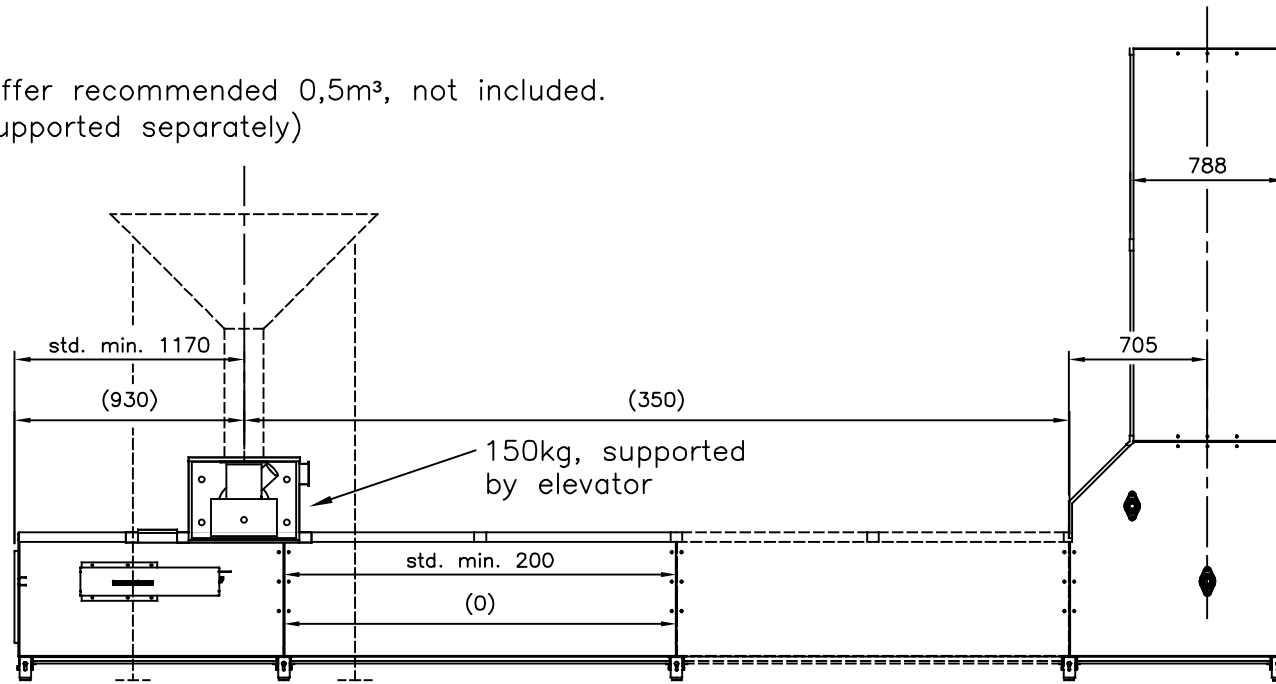
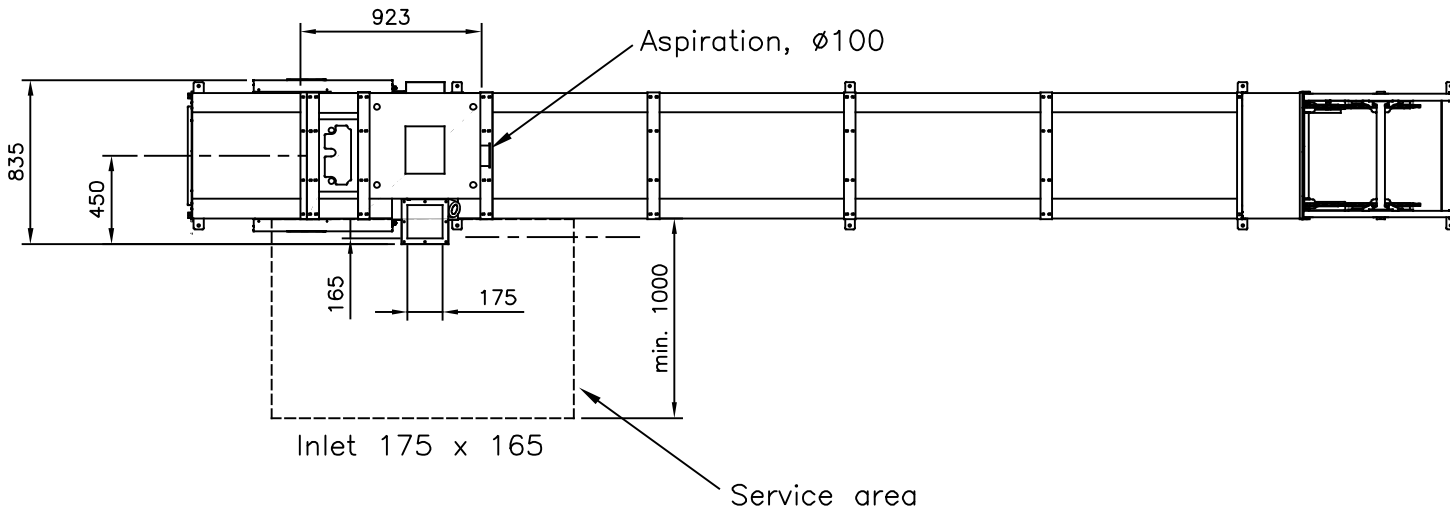
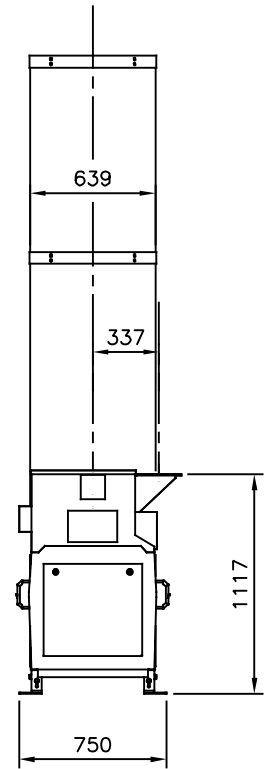


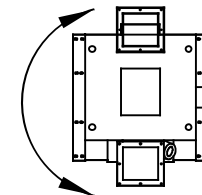
Buffer recommended 0,5m³, not included.  
(supported separately)



( ) = absolute possible minimum.



Optional Placement



|   |             |           |
|---|-------------|-----------|
| <b>Simatek</b><br>BULK SYSTEMS A/S<br>Charlottevej 8, DK-4270 Hoeng. Tel.: +45 58841680 | DRAWN BY    | TLK       |
|   | DATE        | 15052014  |
| Fax: +45 58852443<br>Tel.: +45 58841680   | SCALE       | 1:20 (A2) |
|   | CHECK BY    |           |
| Universalelevator type 110E<br>CBFS - "drumfeeder"<br>Mounting dimensions               | APPR. BY    |           |
|   | REVISED     | 09032017  |
|   | DRAWING NO. | 980019C   |
| THIS DRAWING IS OUR POSSESSION AND MAY NOT BE USED WITHOUT OUR PERMISSION               |             |           |