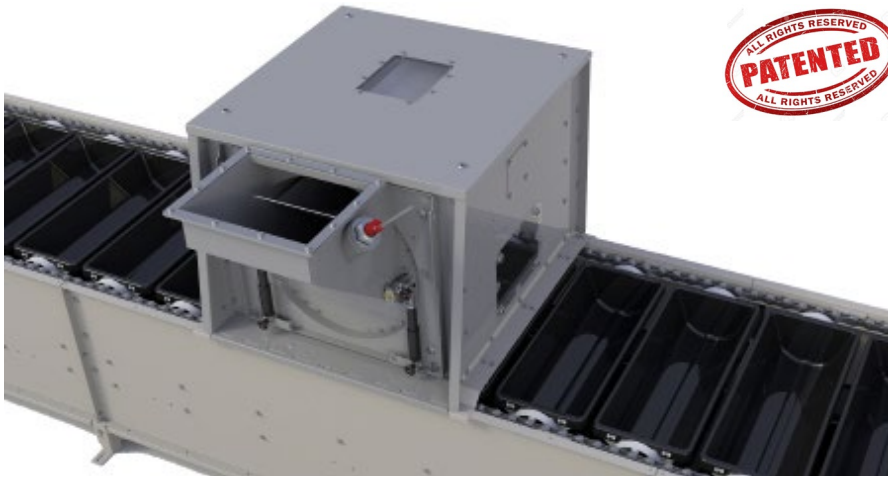


Continuous **B**atch **F**eeding **S**ystem



Simatek Drum Feeder

The patented Simatek Drum Feeder is next generation technology within gentle feeding of Simatek universal elevators. This unique, mechanical drum feeder has many advantages compared to traditional feeding systems.



Drum feeder mounted on a Simatek universal elevator



High filling degree without spillage

The elevator buckets are filled separately and continuously. The variable dosing of the buckets makes it possible to obtain a very high filling degree which results in a higher conveying capacity and/or lower speed compared to other feeding systems. Often it will be possible to obtain a significant increase in capacity on existing elevators when changing to a drum feeder.

The filling degree may be regulated during operation by a built-in, actuator controlled damper. This is possible at any conveying speed.



95% filling degree

Robust design – greater operational reliability

Because the buckets are filled separately and precisely there is no need for overlap between the buckets, thus there is no mechanical contact between the buckets. By using Free Rotating Buckets (FRB) there is no need for forced controlling. Thereby, it is possible to leave out the most wearable parts, the bucket guides.

With the Simatek Drum Feeder you will get higher operational reliability and much lower operational costs.

Easy to clean

The drum feeder is made in a cleaning-friendly design with quick and easy access to parts in touch with the product. The drum may be taken out separately in only few minutes for easy cleaning.

Design

The drum feeder comes in a painted and a stainless steel version.

Bulk products

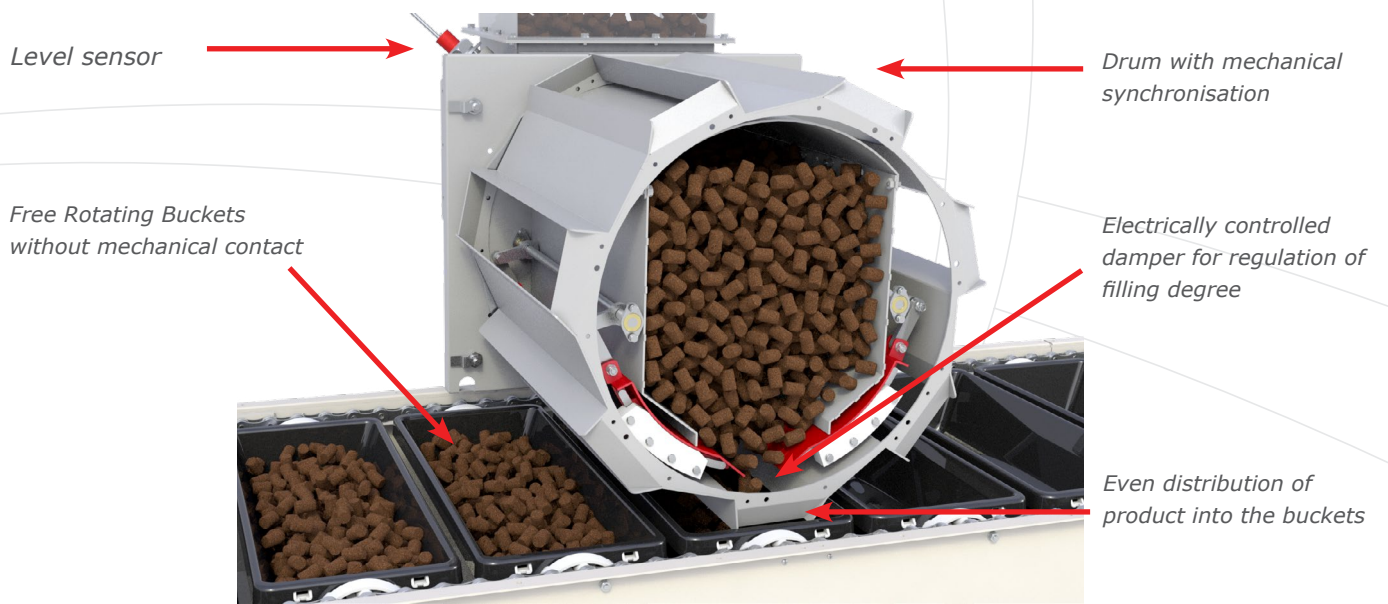
The drum feeder is suited for implementation in processing plants for gentle conveying of:

- Granulates
- Powders
- Pellets
- Seeds
- Grain shaped product

Next generation feeding system

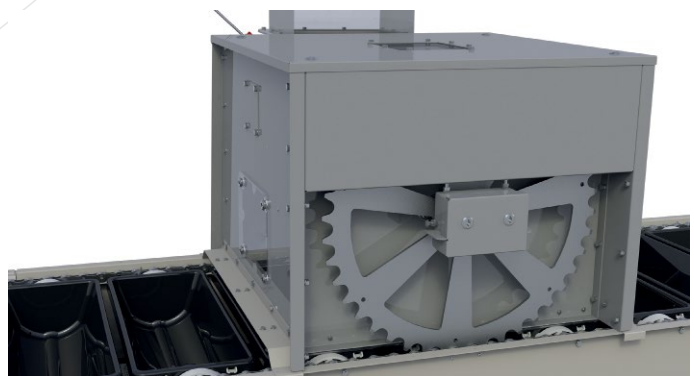
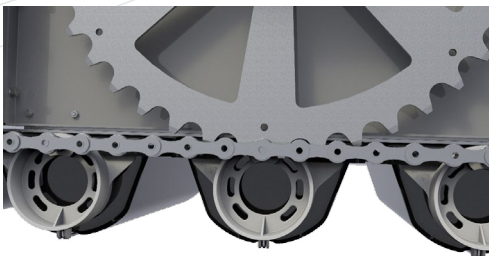
Gentle filling without product spillage

- The drum feeder fills the buckets accurately and gently without product spillage.
- The integrated level sensor gives signal to open the damper when there is product in the drum.
- The dosing damper valve is controlled electronically from the enclosed control unit or directly from PLC.



Mechanical construction

The drum feeder is synchronised with – and mechanically driven by the elevator chains. This enables precise product filling at any conveying speed.



A Gentle and Flexible Solution

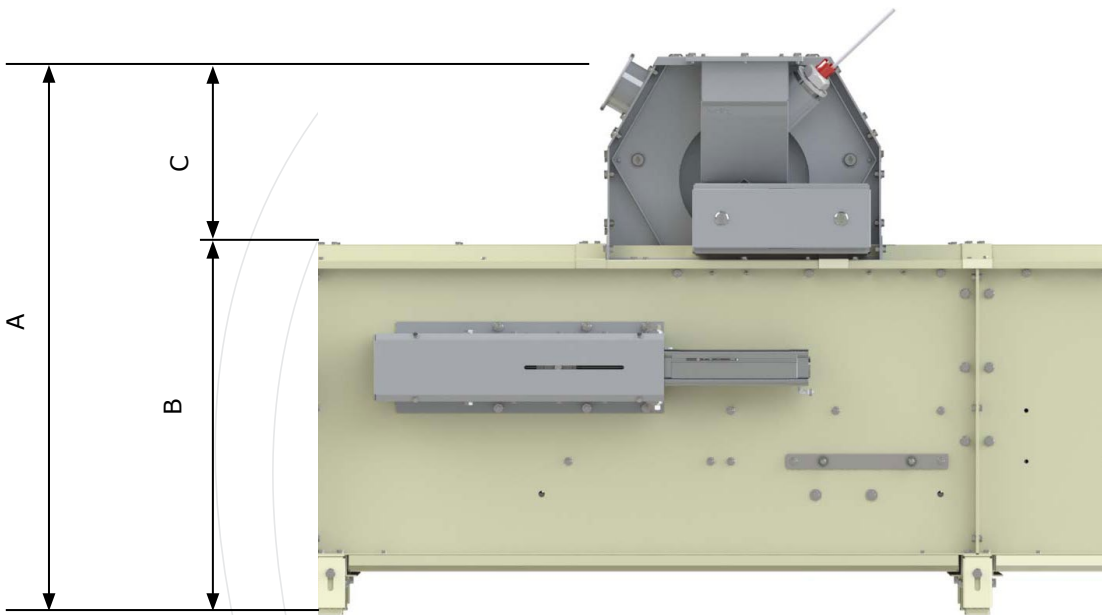
Simatek Drum Feeder Implementation

Built-in height

When implementing the Simatek drum feeder it is important to secure sufficient built-in height.

In addition to the built-in height for the drum feeder it will often be necessary to reserve space for a small buffer bin on top of the drum feeder. The buffer bin is essential when the product flow is uneven in order to avoid the drum feeder from running empty.

The integrated level sensor and control unit will ensure controlled filling of the elevator.



Elevator type built-in height	33	110	110 XL*	160/200	160-200 Split**	400
A	994	1130	1372	1372	1130	2002
B	618	756	756	756	756	1178
C	376	376	616	616	376	824

* Drum feeder for poor flowing products

** Parallel drum feeders for split buckets (simultaneous conveying of more product types)