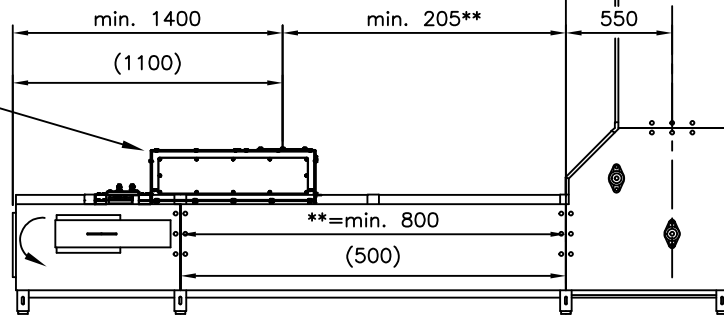
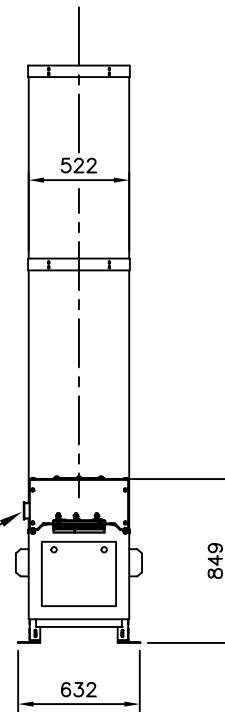


( ) =  
Absolute possible minimum, without  
V-brush option !

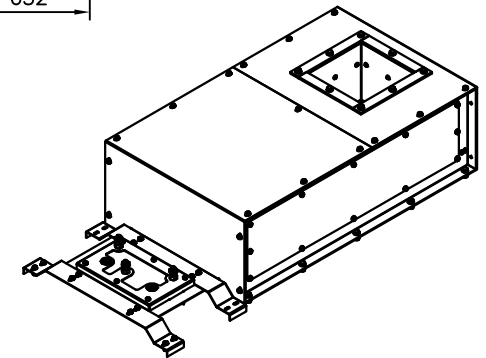
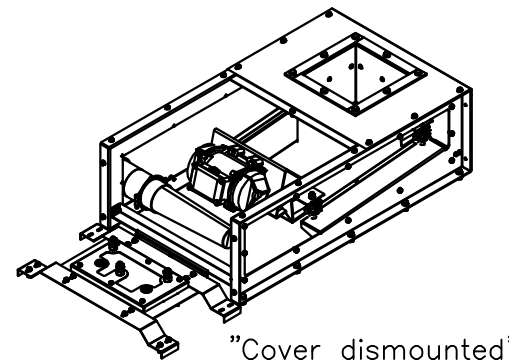
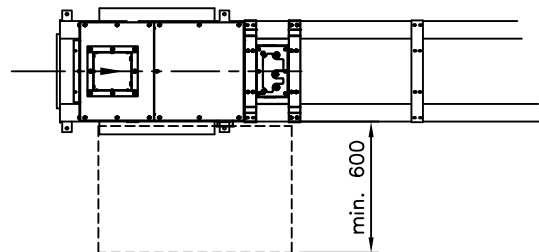
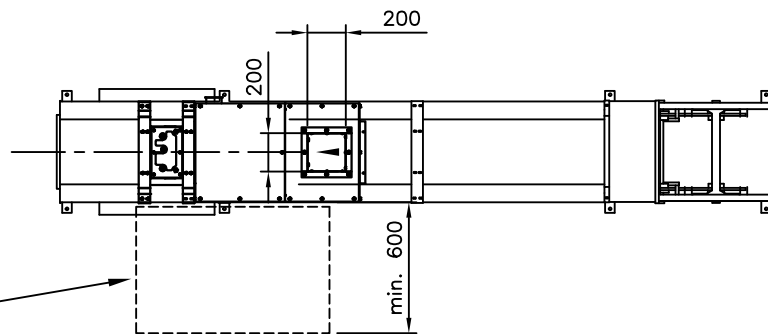
52kg, supported  
by elevator



Aspiration,  $\varnothing 100$



Service area



<b>Simatek</b> BULK SYSTEMS A/S Fax: +45 58852445 Charlotteløvej 8, DK-4270 Hoeng. Tel.: +45 58841080	DRAWN BY	TLK
	DATE	30112014
	SCALE	1:20 (A2)
	CHECK BY	
Universalelevator type 33E		APPR. BY
Vibrator feeder		REVISED
Mounting dimensions		09032017
		DRAWING NO.
		980024B

THIS DRAWING IS OUR POSSESSION AND MAY NOT BE USED WITHOUT OUR PERMISSION