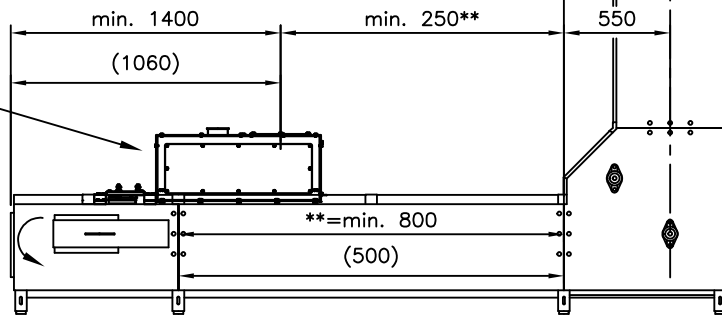
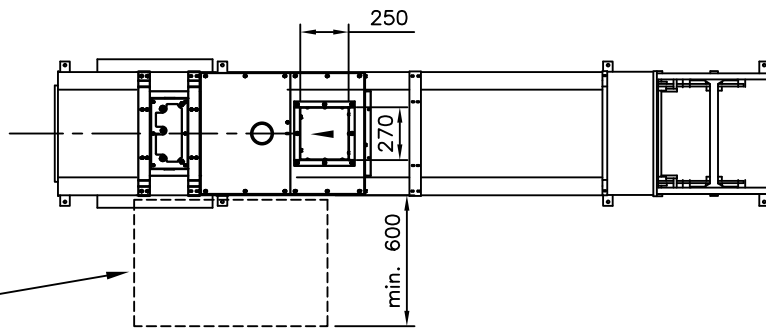
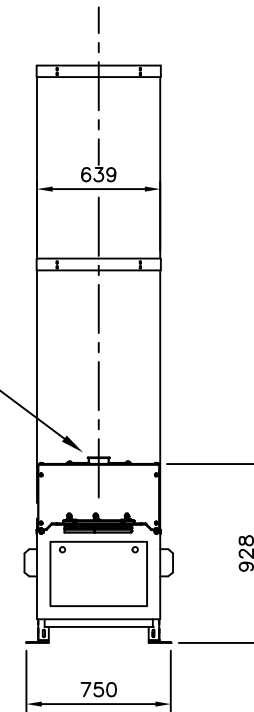


() =
Absolute possible minimum, without
V-brush option !

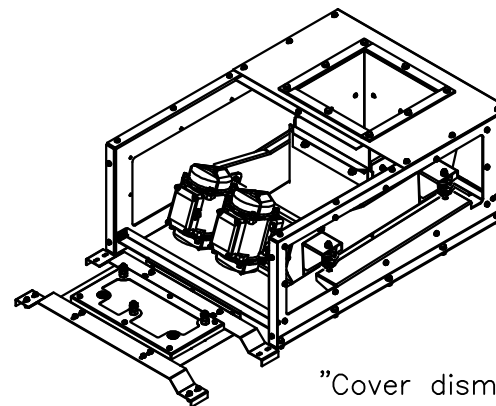
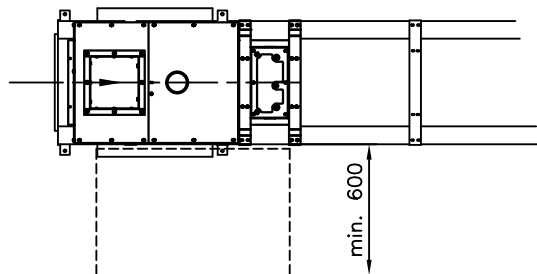
52kg, supported
by elevator



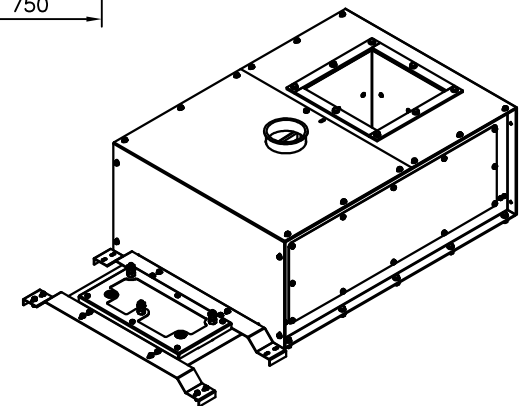
Aspiration, $\varnothing 100$



Service area



"Cover dismantled"



Simatek BULK SYSTEMS A/S Fax: +45 58852445 Charlotteløvej 8, DK-4270 Hoeng. Tel.: +45 59841080	DRAWN BY	TLK
	DATE	02032017
	SCALE	1:20 (A2)
	CHECK BY	
Universalelevator type 44E		APPR. BY
Vibrator feeder		REVISED
Mounting dimensions		09032017
		DRAWING NO.
		980051A

THIS DRAWING IS OUR POSSESSION AND MAY NOT BE USED WITHOUT OUR PERMISSION